

Pressure Gauge - M0094

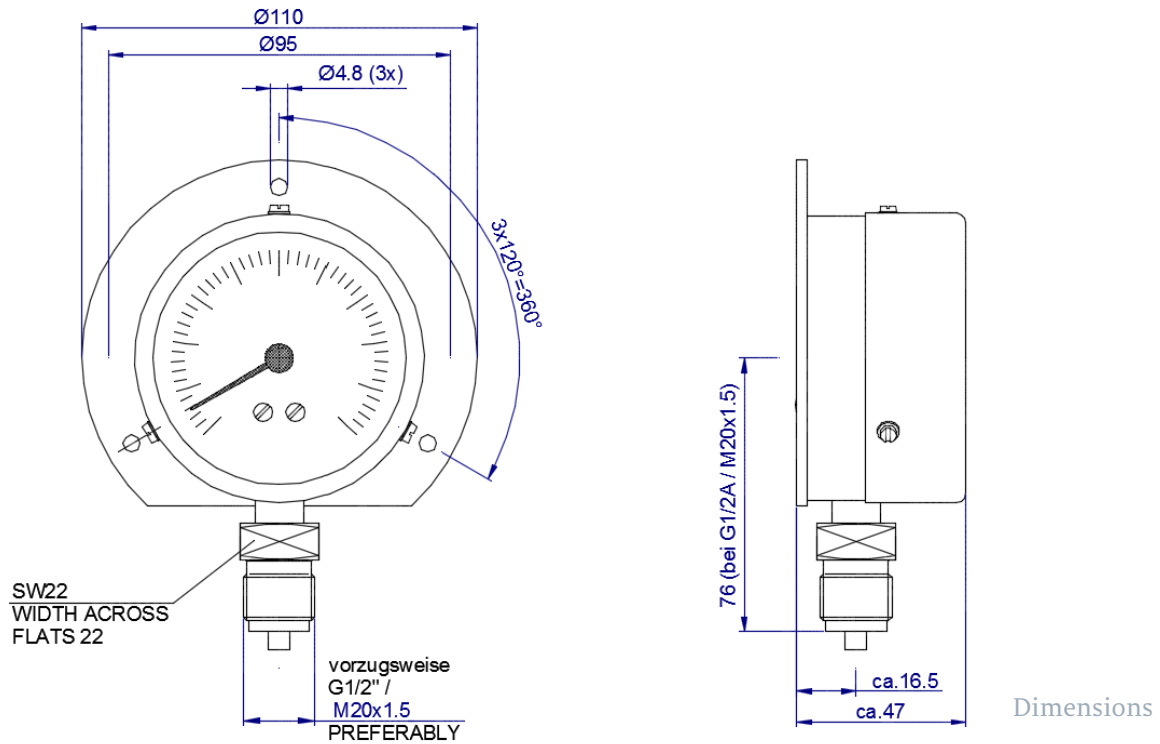


- as per DIN EN 837-1
- nominal size: 80
- with rear rim
- mechanical, antimagnetic
- sea water resistant, maintenance free
- shock and vibration resistant mounting
- motion work with dampened axis
- with bursting diaphragm

Applications Shipbuilding, naval shipbuilding, heating and air-conditioning technology, environmental and process technology, plant construction.

Media All types of fluids and gases that do not corrode copper alloys, solidify or have a high viscosity. (i.e. nitrogen, hydraulic oil)

| Specifications | | |
|----------------------------|---|----------------|
| connection | 7/16 UNF M12x1,5 G1/2A G1/4A * other process connections on enquiry | |
| connection position | bottom, top, 90°right, 90°left | |
| bourdon tube | c-shape < 100 bar < helix shape | |
| mounting position | 90° *other options on request | |
| precision class | 1 as per DIN EN 837-1 *other options on request | |
| weather protection | IP54 as per DIN EN 60529 | |
| permanent pressure | 100% of scale | |
| alternation pressure | 90% of scale | |
| short time overpressure | 130% of scale | |
| Technical Limitations | | |
| nominal pressure | min -1 bar | max 400 bar |
| operating temperature | -20°C | |
| temperature influence | ±0,4% FSO/10K | |
| weight | 0,7 kg | |
| Material | | |
| casing | brass | |
| wetted parts | copper alloys | |
| window | security glass, etched on one side | |
| Additional Options | | |
| coloured sections on scale | red/yellow/green | |
| red markings | on any specified place of the scale | |
| temperature markings | yes/no | |
| throttle screw | yes/no | |
| customized scale | yes/no | |



Colours

| | | | |
|-------------------------|-------------|--------------|--|
| casing | black | RAL 9005 | |
| | grey | RAL 7037 | |
| rim | black | RAL 9005 | |
| | grey | RAL 7037 | |
| scale background | white | RAL 9010 | |
| | black | RAL 9005 | |
| scale labels | yellow | RAL 1021 | |
| | white | RAL 9010 | |
| | black | RAL 9005 | |
| | red | RAL 2002 | |
| pointer | blue | RAL 5015 | |
| | black | RAL 9005 | |
| | yellow | RAL 1021 | |
| scale coloured sections | fluorescent | UVG 75 green | |
| | red | RAL 2002 | |
| | yellow | RAL 1021 | |
| | green | RAL 6018 | |

*more colour options on enquiry