

Remote Thermometer - T0032

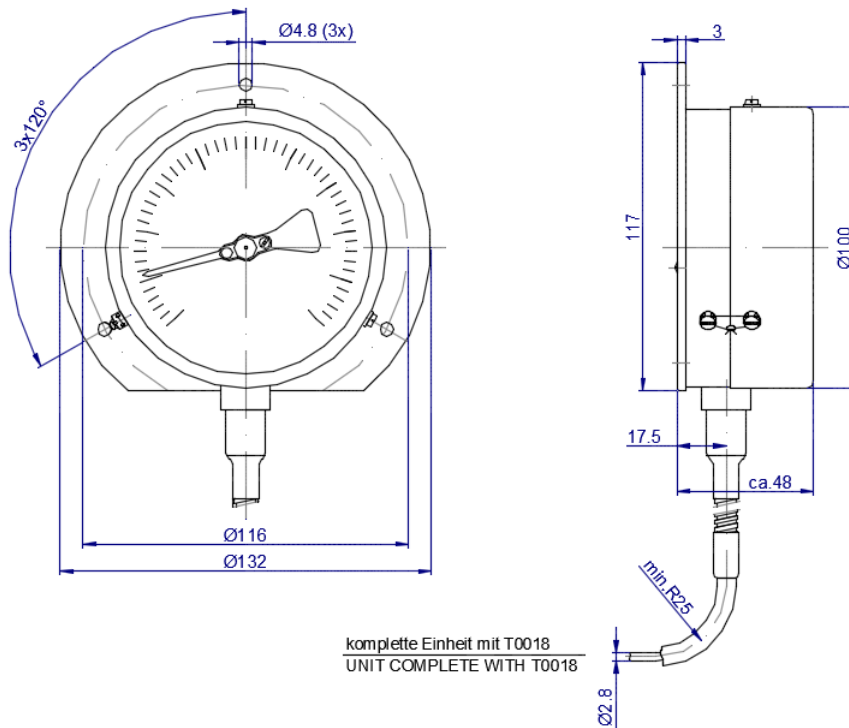
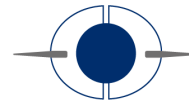


- with temperature feeler T0018
- nominal size: 100
- with rear rim
- mechanical, antimagnetic
- sea water resistant, maintenance free
- shock and vibration resistant
- motion work with dampened axis

Applications Shipbuilding, naval shipbuilding, heating and air-conditioning technology, environmental and process technology, plant construction.

Media All types of fluids and gases .

Specifications		
connection position	bottom, with transmission line	
bourdon tube	c-shape	
mounting position	90°	
precision class	1 as per DIN EN 837-1	
transmission medium	nitrogen	
permanent pressure	100% of scale	
short time overpressure	with overpressure protection	
Technical Limitations		
measuring range	min	max
length of transmission line	-40°C	50°C
weight	0,5m	16m
	1,5 kg (without transmission line)	
Material		
casing	brass	
wetted parts	stainless steel with synthetic coating	
window	security glass, etched on one side	
Additional Options		
coloured sections on scale	red/yellow/green	
red markings	on any specified place of the scale	
customized scale	yes/no	



Dimensions

Colours

casing	black	RAL 9005	
	grey	RAL 7037	
	chromed		
rim	black	RAL 9005	
	grey	RAL 7037	
	chromed		
scale background	white	RAL 9010	
	black	RAL 9005	
scale labels	yellow	RAL 1021	
	white	RAL 9010	
	black	RAL 9005	
	red	RAL 2002	
pointer	blue	RAL 5015	
	black	RAL 9005	
	yellow	RAL 1021	
scale coloured sections	fluorescent	UVG 75 green	
	red	RAL 2002	
	yellow	RAL 1021	
	green	RAL 6018	

*more colour options on enquiry