

Pressure Gauge M0010

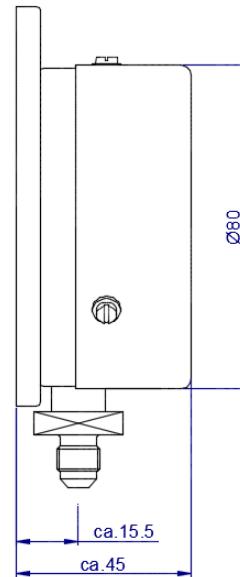
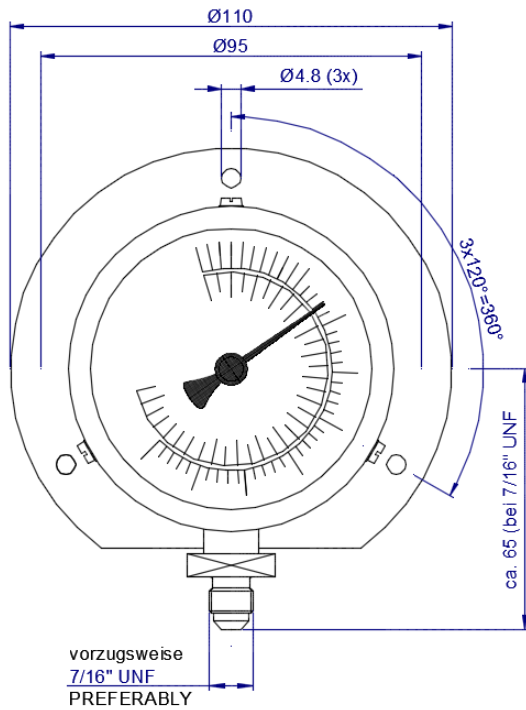


- nominal size 80
- with rear mounting rim
- with bursting diaphragm
- mechanical, antimagnetic, maintenance free
- shock- and vibration resistant
- with dampened motion-work

applications shipbuilding, naval shipbuilding, heating and air-conditioning technology, environmental and process technology, plant construction.

media All types of fluids and gases that do not corrode copper alloys, solidify or have a high viscosity. (i.e. nitrogen, hydraulic oil)

Specifications		
connection	- 7/16 UNF - M12x1,5 - G1/4A *other options on request	
connection position	bottom	
bourdon tube	c-shape < 80 bar < helix shape	
mounting position	90° *other options on request	
precision class	1 as per DIN EN 837-1 *other options on request	
weather protection	IP54 as per DIN EN 60529	
permanent pressure	100% of scale	
alternation pressure	90% of scale	
short time overpressure	130% of scale	
Technical Limitations		
nominal pressure	min -1 bar	max 400 bar
temperature of the measuring medium	-20°C	100°C
operating temperature	-20°C	100°C
temperature influence		±0,4% FSO/10K
weight	0,5kg	
Additional Options		
red mark	position specified by customer	
temperature scale	yes/no	
coloured sections on scale	red/yellow/green	
throttle screw	yes/no	
customer specific scale	yes/no	
Material		
casing	brass	
wetted parts	copper alloys	
window	security glass, etched on one side	



dimensions

Colours

casing	black	RAL 9005
	grey	RAL 7037
rim	black	RAL 9005
	grey	RAL 7037
scale background	white	RAL 9010
	black	RAL 9005
scale labels	yellow	RAL 1021
	white	RAL 9010
	red	RAL 2002
	blue	RAL 5015
	black	RAL 9005
pointer colour	black	RAL 9005
	yellow	RAL 1021
coloured scale sections	luminescent colour	UVG 75 green
	red	RAL 2002
	yellow	RAL 1021
	green	RAL 6018

* other colours on request.

