

Pressure Gauge - M0025

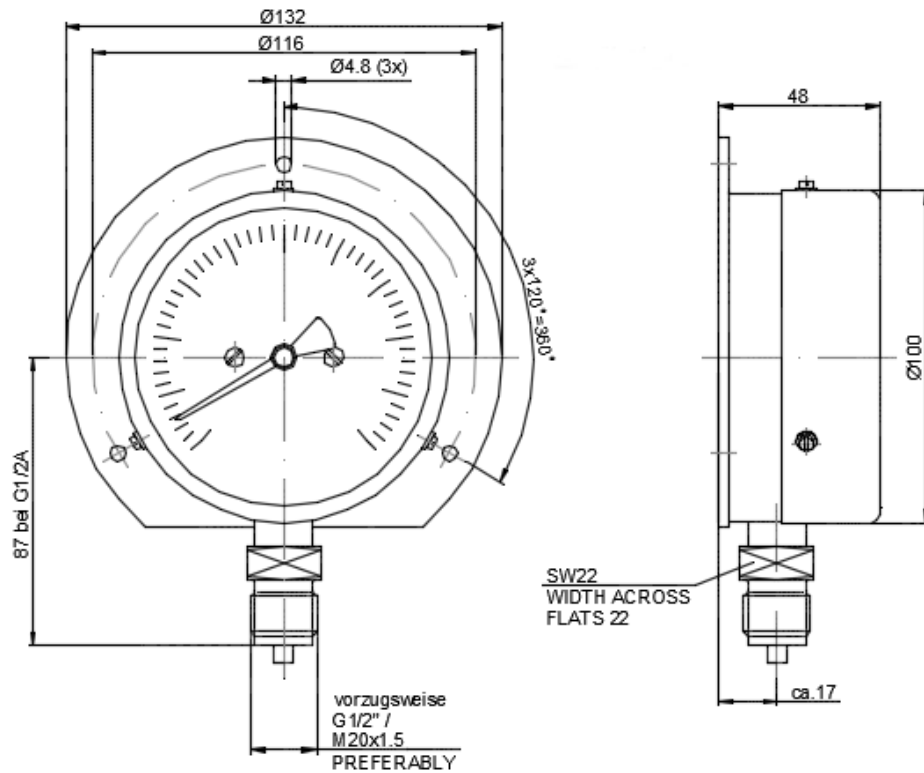


- as per DIN EN 837-1
- nominal size: 100
- with rear rim
- mechanical, antimagnetic
- sea water resistant, maintenance free
- shock and vibration resistant mounting
- motion work with dampened axis
- throttle screw
- with bursting diaphragm

Applications Shipbuilding, naval shipbuilding, heating and air-conditioning technology, environmental and process technology, plant construction.

Media All types of fluids and gases that do not corrode copper alloys, solidify or have a high viscosity. (i.e. nitrogen, hydraulic oil)

Specifications		
connection	G1/2"A M20x1,5 * other process connections on enquiry	
connection position	bottom, top, 90°right, 90°left	
bourdon tube	c-shape < 80 bar < helix shape	
mounting position	90° *other options on request	
precision class	1 as per DIN EN 837-1 *other options on request	
weather protection	IP54 as per DIN EN 60529	
permanent pressure	100% of scale	
alternation pressure	90% of scale	
short time overpressure	150% of scale	
Technical Limitations		
nominal pressure	min -1 bar	max 600 bar
operating temperature	-20°C	100°C
temperature influence		±0,4% FSO/10K
weight	0,9 kg	
Material		
casing	bronze	
wetted parts	copper alloys	
window	security glass, etched on one side	
Additional Options		
coloured sections on scale	red/yellow/green	
red marking pointer	on any specified place of the scale	
temperature markings	yes/no	
customized scale	yes/no	



Dimensions

Colours

casing	black	RAL 9005	
	grey	RAL 7037	
	chromed		
rim	black	RAL 9005	
	grey	RAL 7037	
	chromed		
scale background	white	RAL 9010	
scale labels	black	RAL 9005	
	yellow	RAL 1021	
	white	RAL 9010	
	black	RAL 9005	
	red	RAL 2002	
	blue	RAL 5015	
	fluorescent	UVG 75 green	
pointer	black	RAL 9005	
	yellow	RAL 1021	
scale coloured sections	fluorescent	UVG 75 green	
	red	RAL 2002	
	yellow	RAL 1021	
	green	RAL 6018	

*more colour options on enquiry