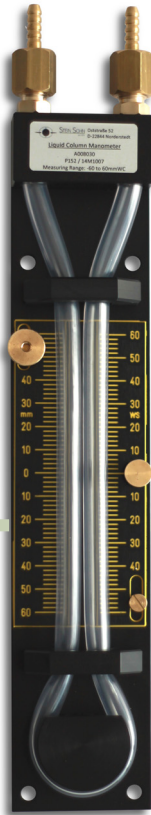


Liquid Column Manometer - M0020



- U-tube manometer
- antimagnetic, sea water resistant, maintenance-free
- shock and vibration proof

Applications shipbuilding, naval shipbuilding, heating and air-conditioning technology, environmental and process technology, plant construction.

Media All types of non-aggressive fluids that do not solidify or have a high viscosity. (i.e. nitrogen, hydraulic oil)

Available Versions

connection	G1/4"A DN6 (hose connection) DN8 (hose connection)
connection position	top
mounting position	90°
pressure range	-60 to +60 mmWS *other pressure ranges on request.


Technical Limitations

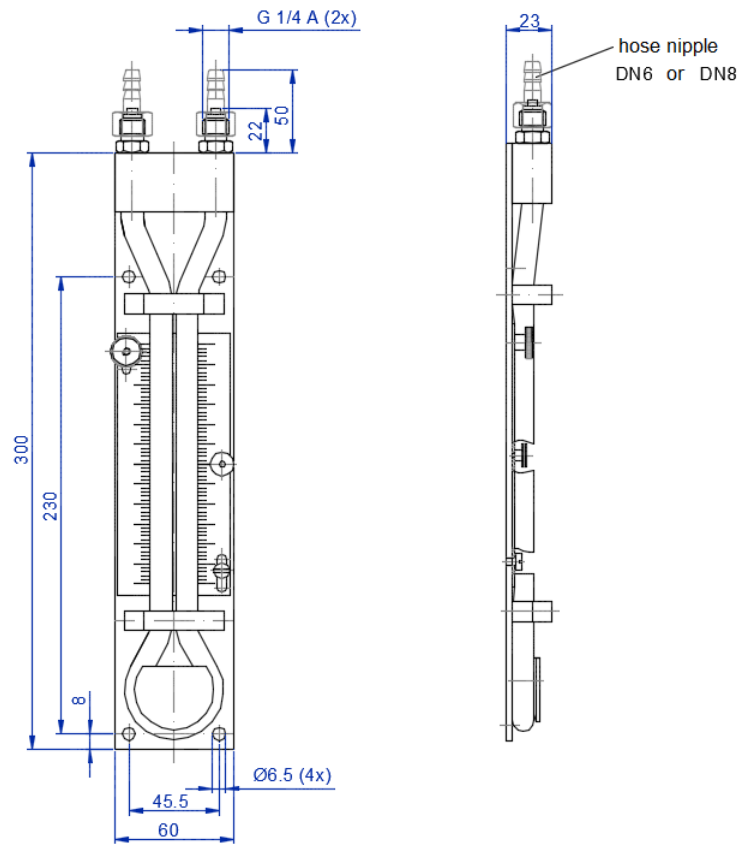
operation pressure	min	max
operation temperature	lower end of scale	end of scale
weight	0°C	50°C
		2kg

Materials

pressure element	synthetic material
scale	Gravoply
baseplate	aluminium

Colours

casing	black	RAL 9005	
	grey	RAL 7037	
background of scale	black	RAL 9005	
	scale	yellow	RAL 1021
	*other colours on request		



Dimensions
(mm)