

Residual Buoyancy Meter for Steering Stand - M0045



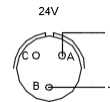
- red illumination
- with adjustable scale pointers
- with adjustable scales
- mechanical, antimagnetic, sea water resistant
- EMC safe

Applications shipbuiding, naval shipbuilding

Media water, sea water

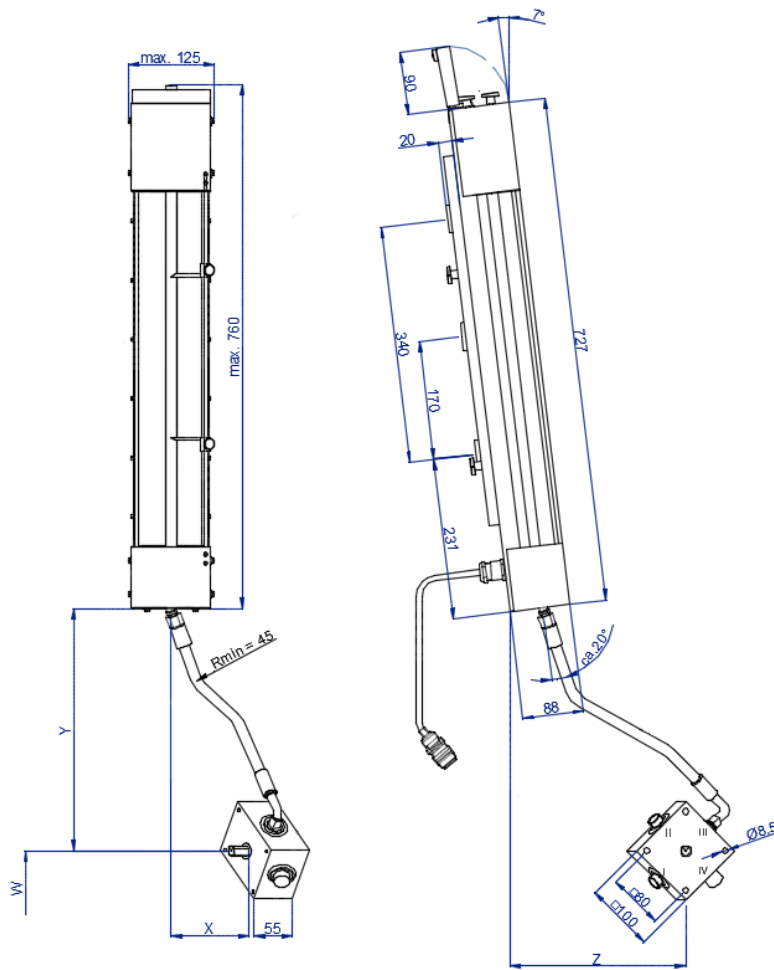
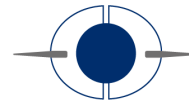
Specifications

| | |
|-----------------------|---------------------------|
| connection of tube | M14x1,5 |
| ball valve | M-E1671 |
| ball valve connection | M14x1,5 |
| | G5/8"A |
| | *other options on request |
| nominal pressure | PN5 |
| accuracy class | 0,6 |
| | 1,0 |
| cable length | 0,5m |
| electrical data | 24V DC, max. 1,2A/29W |
| illumination | red, dimmable |
| plug | VC95343 |



Technical Limitations:

| | min | max |
|-----------------------|-------------------------|--------------------------|
| measuring range | height above keel +4mWS | height above keel +14mWS |
| operation temperature | -20°C | +100°C |
| storage temperature | -40°C | +125°C |
| weight | 17kg | |



Dimensions (mm)
W,X,Y and Z change
according to the
installation location of
the device.

Material

| | |
|--------------|---------------------------|
| casing | brass, black coated |
| wetted parts | bronze, glass, synthetics |

Colours

| | | | |
|---------------------|---------------------------|----------|--|
| casing | black | RAL 9005 | |
| background of scale | black | RAL 9005 | |
| marking on scale | yellow | RAL 1021 | |
| | white | RAL 9010 | |
| pointer | white | RAL 9010 | |
| | *other options on request | | |