

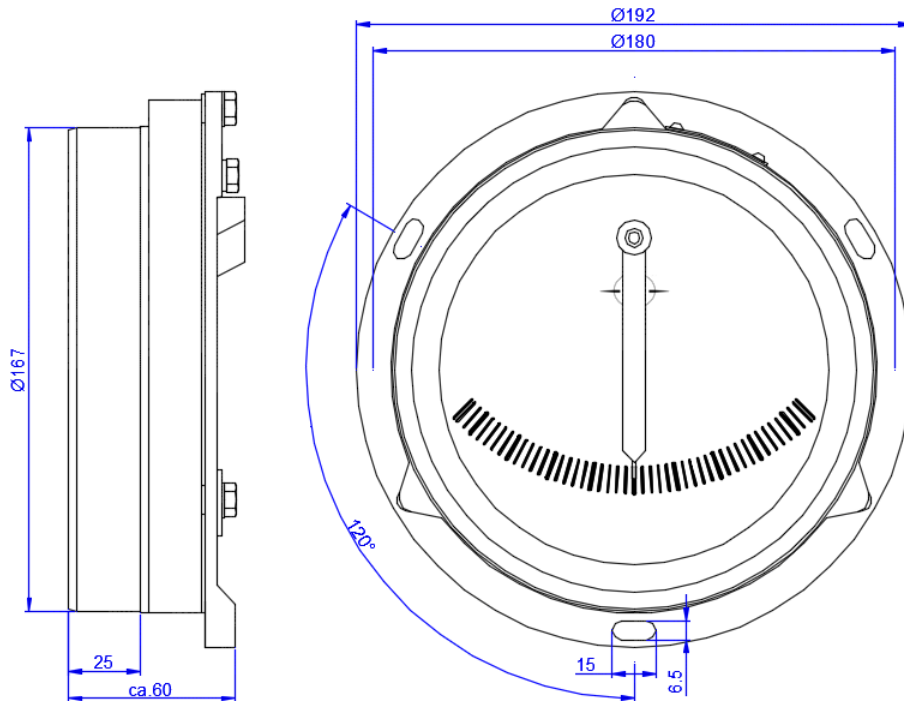
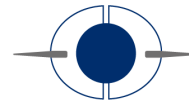
Clinometer - S0005



- mechanical, unmagnetic, maintenance free, sea water resistant
- filled with glycerine
- shock- and vibration resistant as per BV 043/044
- rear mounting rim




Applications shipbuilding, naval shipbuilding

Specifications	
nominal size	160
nominal pressure	6,6
weight	4,8 kg (bronze) 2,2 kg (aluminium)
operation temperature	-20 to 100°C
NSN	6605-12-318-7583 6605-12-318-7582
Material	
casing	aluminium 3.3555 bronze 2.1052
window	toughened glass
scale	gravoply
pointer	brass 2.0321



Dimensions

Colours

casing	black	RAL 9005	
background of scale	white	RAL 9010	
	black	RAL 9005	
markings on scale	yellow	RAL 1021	
	white	RAL 9010	
	fluorescent	UVG 75 green	
pointer	black	RAL 9005	
	black	RAL 9005	
	yellow	RAL 1021	
	fluorescent	UVG 75 green	
	*other colours on request		