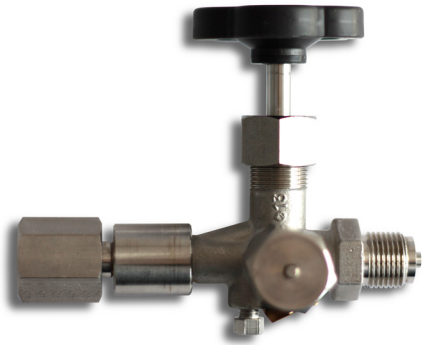


## Stop-Valve with Test Connection - V0123



- mechanical, antimagnetic, sea water resistant, maintenance free
- shock and vibration resistant as per BV 043/044

**Applications** shipbuilding, naval shipbuilding, heating and air-conditioning technology, environmental and process technology, plant construction.

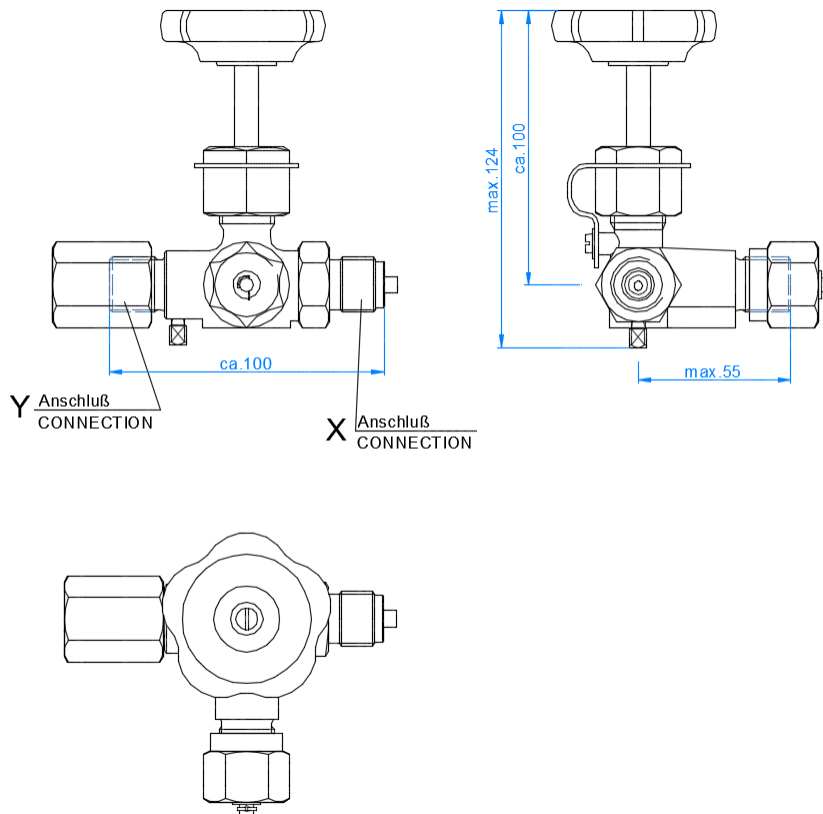
**Media** All types of fluids and gases that do not corrode copper alloys, solidify or have a high viscosity. (i.e. nitrogen, hydraulic oil)

### Specifications

Nominal size	DN3 DN4
Nominal Pressure	PN50 PN100 PN250
Connections	M14x1,5 M16x1,5 M20x1,5 G1/2"A
	*pressure inlet, outlet and test connection may each have different connection sizes. ** other connection sizes on request.
Material	bronze
Hand wheel	C63 as per DIN 388
Options	Free from oil and grease with union nut

### Technical Limitations

	min	max
Weight	1,2 kg	
Operation temperature	-40 °C	+125 °C
Storage temperature	-40 °C	+125 °C



Dimensions

Colours

casing	unpainted
hand wheel	black

RAL 9005