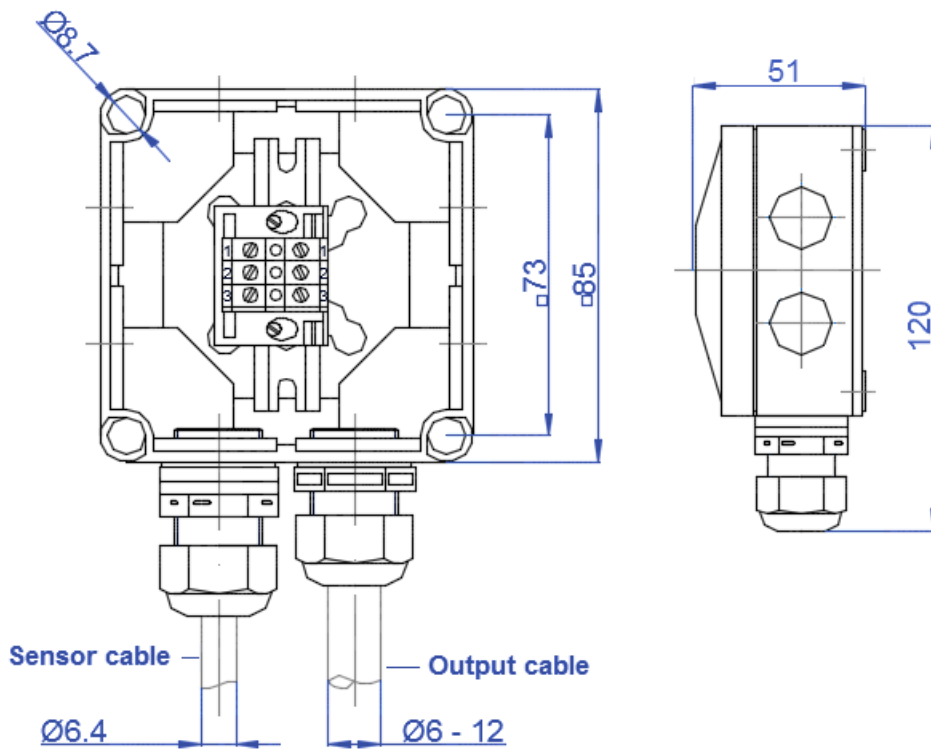


Junction Box IP66 Poly



- fixing with mounting clip or 4 internal openings outside of the sealing area
- 8 elastic self-sealing puncture membranes for cable entry
- 8 intergrated M20 threads for mounting without lock nut
- 4 captive cover screws
- including mounting clip
- halogen free

Technical Data	
operating temperature	-30°C to 120°C
connections	M20x1,5 (2 in use)
weight	0,14 kg
weather protection	IP 66 (as per IEC/EN 60529)
material	Polypropylene



Dimensions