

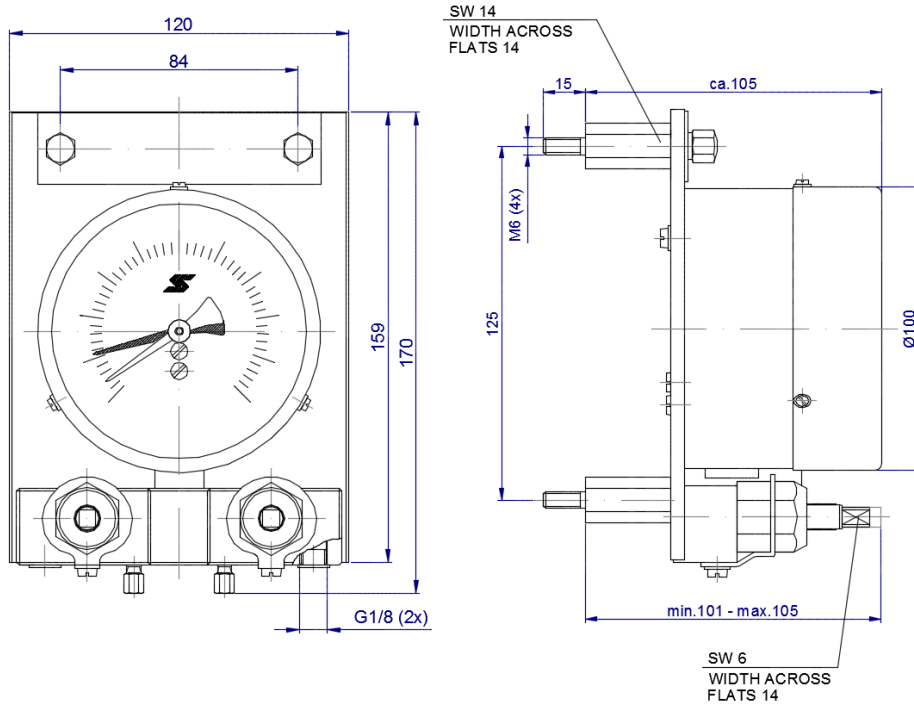
Double-Pressure Gauge on Board - M0005

- as per EN 837-1
- nominal size 100, on board
- mechanical, maintenance-free
- antimagnetic, sea water resistant, EMC-safe
- shock and vibration resistant as per BV 043
- with bursting diaphragm
- coloured hand-wheel markings according to pointer

Applications Shipbuilding, naval shipbuilding, heating and air-conditioning technology, environmental and process technology, plant construction.

Media All types of fluids and gases that do not corrode copper alloys, solidify or have a high viscosity. (i.e. nitrogen, hydraulic oil)

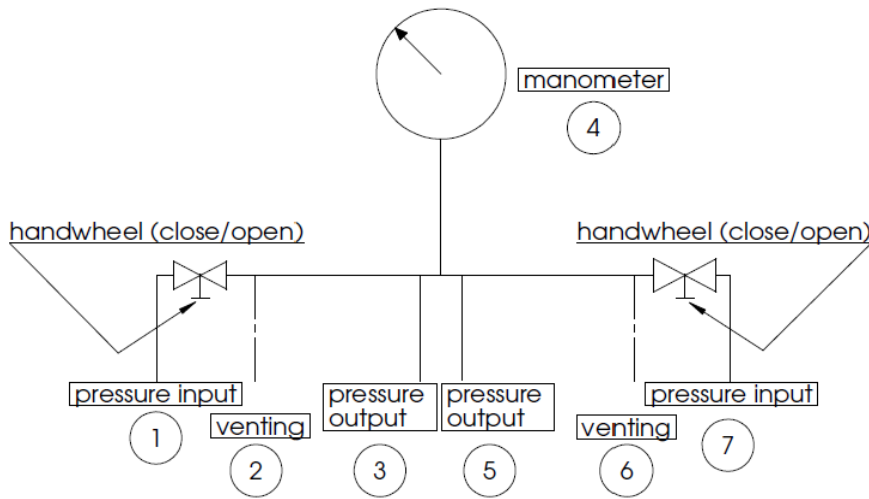
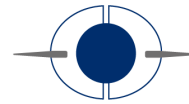
Available Versions		
connection	M16x1,5 *other options on request	
connection position	bottom top	
bourdon tube	c-shape < 80 bar < helix shape	
shut off	2x	
accuracy class	1 as per EN 837-1	
permanent pressure	100% of scale	
alternating pressure	90% of scale	
short term overpressure	130% of scale	
Technical Limitations		
	min	max
pressure range	-1 bar	400 bar
temperature of medium	-20°C	+100°C
operation temperature	-20°C	+100°C
temperature influence		±0,4% FSO / 10K
weight	2.3kg	
Options		
red markings on scale	Yes/No	
coloured sections on scale	red/yellow/green	
free from oil and grease	Yes/No	
fit for O application	Yes/No	
Material		
casing	brass	
wettet parts	copper alloys	
window	security glass, etched on one side	



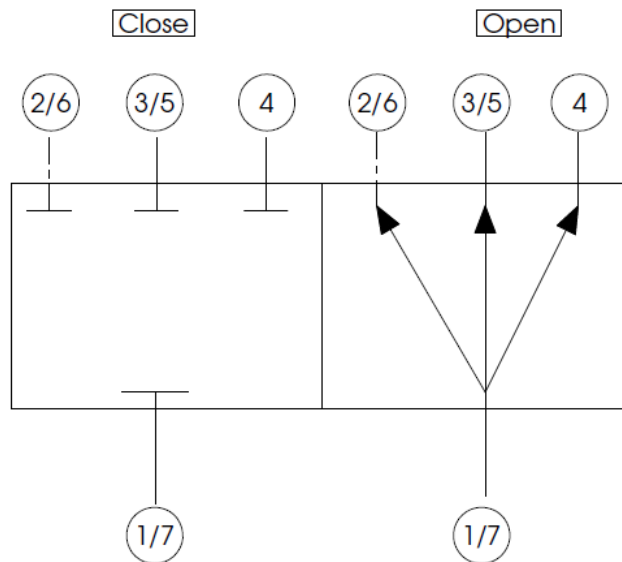
Dimensions
(mm)

Colours

casing	black	RAL 9005	
	grey	RAL 7037	
background of scale	white	RAL 9010	
	black	RAL 9005	
scale labels	fluorescent colour	UVG 75 green	
	yellow	RAL 1021	
pointer	fluorescent colour	UVG 75 green	
	black	RAL 9005	
coloured markings on scale	black	RAL 9005	
	red	RAL 2002	
	yellow	RAL 1021	
	fluorescent colour	UVG 75 green	
	red	RAL 2002	
	yellow	RAL 1021	
	green	RAL 6018	
	*other colours on request		



flow diagram



switch diagram