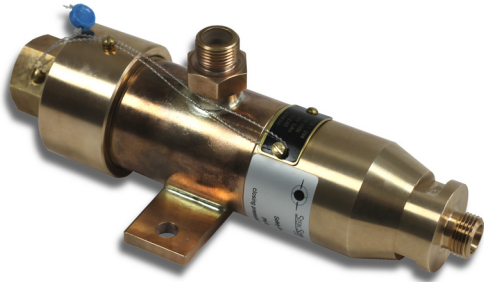


## Safety Switch - M0035

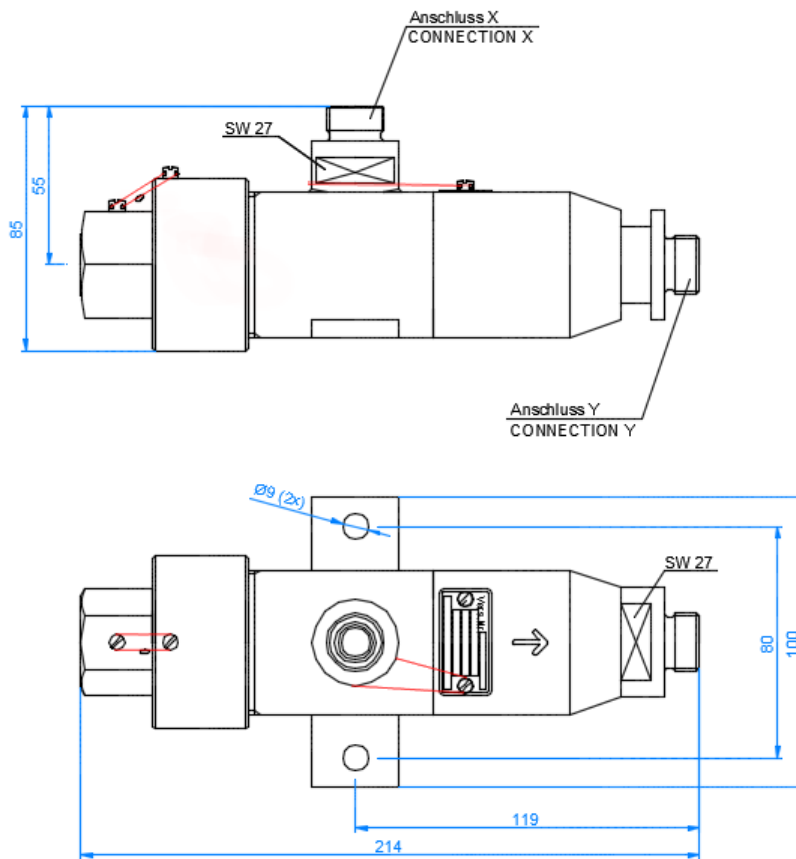


The safety switch prevents damage to the depth gauges by automatically closing off the pressure inlet when the pressure rises above a preset point.

- mechanical, antimagnetic, sea water resistant, maintenance free
- shock and vibration resistant as per BV 043/044

areas of use      ship building, naval ship building  
measuring media      sea water

Specifications		
connections	M14x1,5 M18x1,5 M16x1,5 * other options on request * pressure inlet and outlet can have different connections	
nominal size	DN8	
nominal pressure	PN50	
Technical Limitations		
operation temperature	min 0°C	max +100°C
storage temperature	-40°C	+125°C
weight	3 kg	
pressure tolerance		0,02 bar
hysteresis		0,4 bar
Material		
casing	bronze inconel	
seal	copper	
spring	stainless steel	



dimensions  
(mm)