

Pressure Gauge with Transmitter - M0040

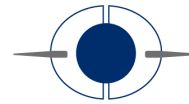


- as per DIN EN 837-1
- nominal size: 100, without rim
- bayonet casing class S3
- mechanical, antimagnetic, sea water resistant, EMC-safe, maintenance free
- shock and vibration resistant mounting
- integrated transmitter for electronic processing of the measured data
- motion work with dampened axis
- venting screw and zero-point correction
- for installation with a mounting bracket

Einsatzbereiche Schiffbau, Marineschiffbau, Anlagenbau, Heizungs- und Klimatechnik, Umwelt und Verfahrenstechnik

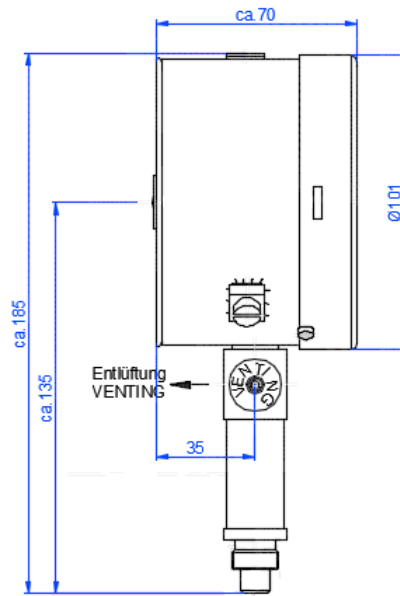
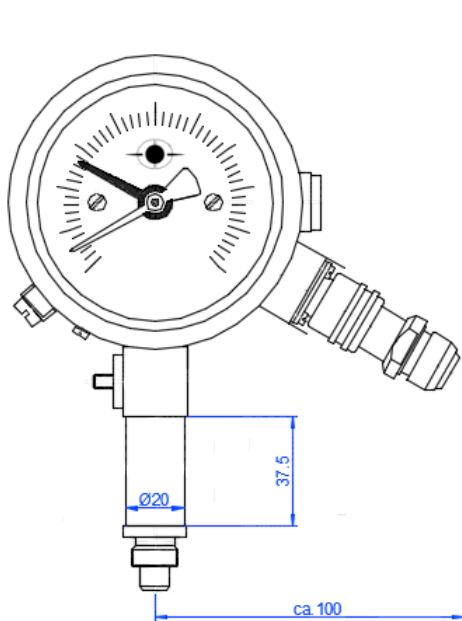
Messmedien Geeignet für alle flüssigen oder gas-förmigen Medien, die Kupferlegierungen nicht angreifen, nicht kristallisieren oder hochviskos sind. (z.B. Stickstoff, Hydrauliköl)

Specifications		
connection	M16x1,5 *other options on request	
connection position	bottom, top, 90°right, 90°left	
bourdon tube	c-shape < 80 bar < helix shape	
transmitter	pressure sensor with ceramic coating, corrosion, abrasion, shock and vibration resistant	
mounting position	90° *other options on request	
precision class	1 as per EN 837-1 *other options on request	
weather protection	IP 56 as per DIN EN 60529	
permanent pressure	100% of scale	
alternation pressure	90% of scale	
short time overpressure	130% of scale	
Electrical Data		
connection	PT02E10-6P as per VG95238, 6 pole plug connection on the side	
supply voltage	18-35 Vdc	
output signal	4-20mA, 2 Lines	
error of measurement + hysteresis	<0,3% of scale	
repeatability	<0,1% of scale	
leakage resistance	<1M Ω	
Technical Limitations		
	min	max
nominal pressure	-1 bar	400 bar
operating temperature	-20°C	+100°C
temperature influence		±0,4% FSO / 10K
weight	1,0 kg	
Material		
Gehäuse	stainless steel	
Mediumberührte Teile	copper alloys	
Sichtscheibe	security glass, etched on one side	
Druckmembran	ceramic	

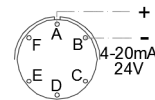


Additional Options

coloured sections on scale	red/yellow/green
free from oil and grease	yes/no
suitable for O ₂ application	yes/no
suitable for fuel cells	yes/no



dimensions



connection diagram

Colours

casing	black	RAL 9005	
	grey	RAL 7037	
scale background	white	RAL 9010	
	black	RAL 9005	
scale labels	fluorescent	UVG 75 green	
	yellow	RAL 1021	
	white	RAL 9010	
	fluorescent	UVG 75 green	
pointer	black	RAL 9005	
	black	RAL 9005	
	yellow	RAL 1021	
marking pointer	fluorescent	UVG 75 green	
	red	RAL 2002	
scale coloured sections	red	RAL 2002	
	yellow	RAL 1021	
	green	RAL 6018	

*more colour options on enquiry