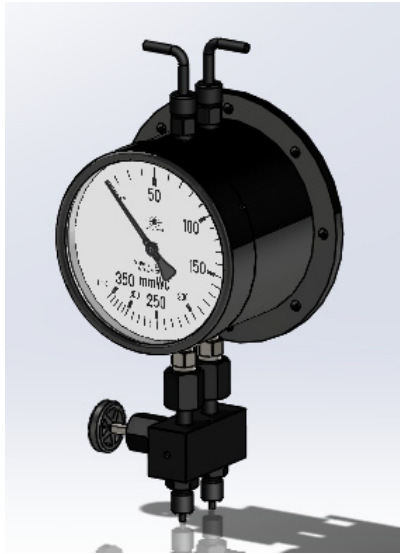


Differential Pressure Gauge - M0059

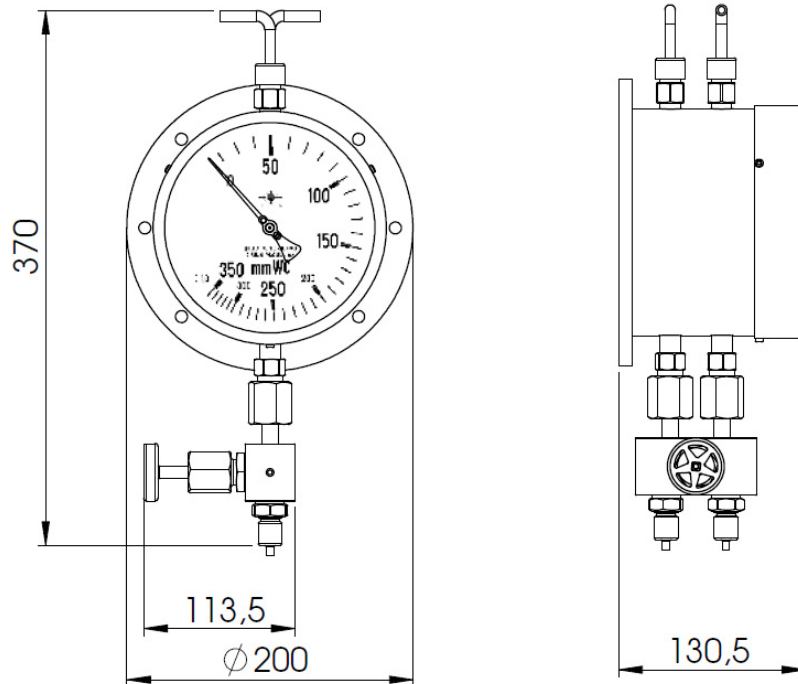


- as per DIN EN 837-3
- nominal size 160
- mechanical, antimagnetic, sea water resistant, maintenance free
- with read mounting rim
- shock- and vibration resistant as per BV 043/044

Applications shipbuilding, naval shipbuilding, heating and air-conditioning technology, environmental and process technology, plant construction.

Media All types of fluids and gases compatible with the medium-wetted components, and do not solidify or have a high viscosity.
(i.e. nitrogen, hydraulic oil)

Specifications		
pressure element	plate spring	
connection	G1/2"A * other options on request	
connection position	bottom	
mounting position	90° * other options on request	
precision class	1 as per EN 837 *other options on request	
maximum overpressure	4 bar	
maximum differential overpressure	10 x end of scale	
Technical Limitations		
nominal pressure	min 0 mmWC	max 350 mmWC
operating temperature	-20°C	
temperature influence	±0,3% FSO / 10K	
weight	10,35 kg	
Additional Options		
red marking pointer		
coloured sections on scale	red/yellow/green	
free from oil and grease		
suitable for O ₂ application		
suitable for fuel cells		
Material		
casing	aluminium	
wetted parts	stainless steel and copper alloys	
window	security glass, etched on one side	



Dimensions
(mm)

Colours

casing	black	RAL 9005	
	grey	RAL 7037	
scale background	white	RAL 9010	
	black	RAL 9005	
scale labels	fluorescent	UVG 75 green	
	yellow	RAL 1021	
	white	RAL 9010	
pointer	fluorescent	UVG 75 green	
	black	RAL 9005	
	black	RAL 9005	
marking pointer	yellow	RAL 1021	
	fluorescent	UVG 75 green	
	red	RAL 2002	
scale coloured sections	red	RAL 2002	
	yellow	RAL 1021	
	green	RAL 6018	
	*other colours on request		