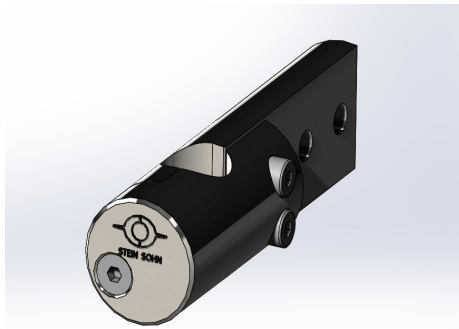


## Mounting Bracket - M0200

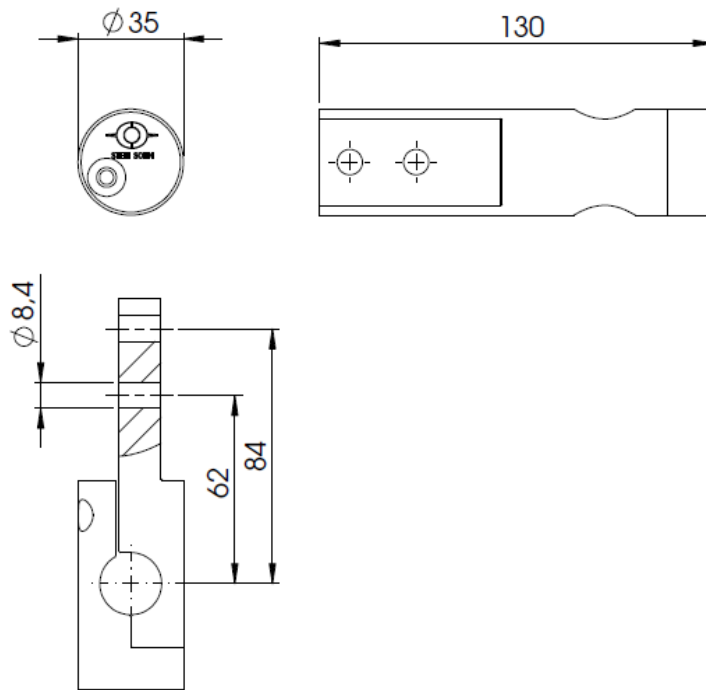


- mechanical, antimagnetic, sea water resistant, maintenance free
- for mounting of devices with elongated neck (e.g. M0029, M0040, M071)
- shock and vibration resistant as per BV 043/044

**Applications** shipbuilding, naval shipbuilding, heating and air-conditioning technology, environmental and process technology, plant construction.

**Media** All types of fluids and gases that do not corrode copper alloys, solidify or have a high viscosity. (i.e. nitrogen, hydraulic oil)

Specifications		
Mounting	welded or screwed-in	
Material	stainless steel	
Technical Limitations		
	min	max
Weight	0,7 kg	
Mounting circumference		Ø 20mm
Mounting weight		1,5 kg
Operation temperature	-40 °C	+125 °C
Storage temperature	-40 °C	+125 °C



Dimensions  
(mm)