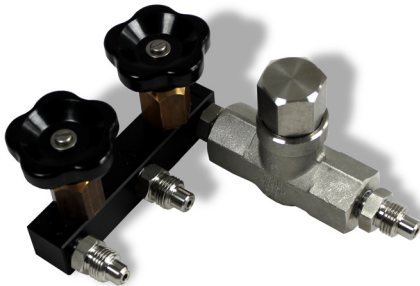


Connection Block with Non-Return Valve - S0004



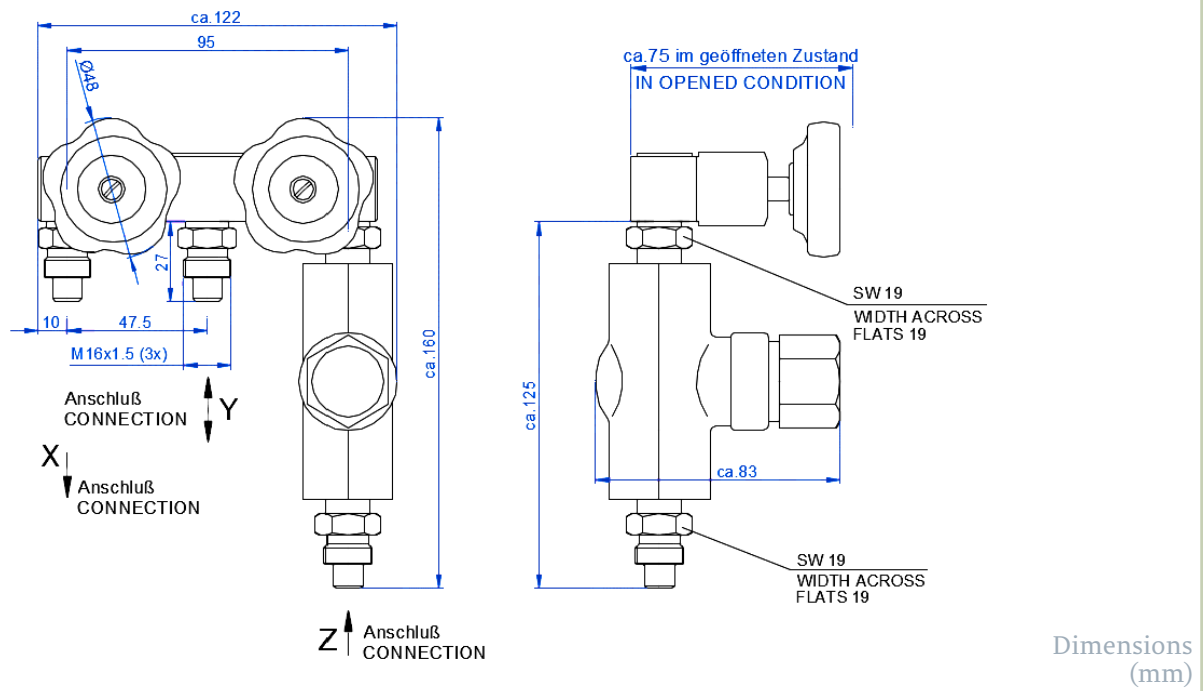
- mechanical, antimagnetic, sea water resistant, maintenance free
- shock and vibration resistant as per BV 043/044

Applications shipbuilding, naval shipbuilding, heating and air-conditioning technology, environmental and process technology, plant construction.

Media All types of fluids and gases that do not corrode copper alloys, solidify or have a high viscosity. (i.e. nitrogen, hydraulic oil)

Specifications

nominal size	DN3	
nominal Pressure	PN80	
connections	M14x1,5 M16x1,5 M20x1,5 G1/2"A	
	*pressure inlet, outlet and test connection may each have different connection sizes. ** other connection sizes on request.	
material	bronze stainless steel	
hand wheel	C63 as per DIN 388	
options	Free from oil and grease	
Technical Limitations		
	min	max
weight	1,6 kg	
operation temperature	-40 °C	+125 °C
storage temperature	-40 °C	+125 °C



Colours

casing	unpainted	
	black	RAL 9005
hand wheel	black	RAL 9005