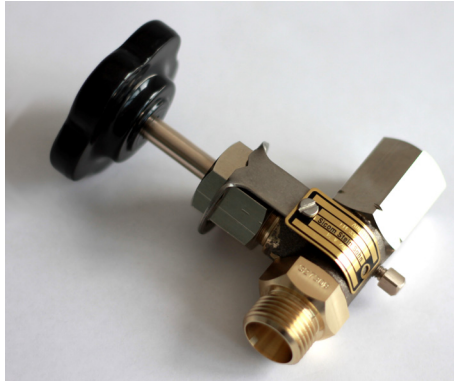


## Stop-Valve - V0120



- mechanical, antimagnetic, sea water resistant, maintenance free
- arrow marking the flow direction.
- shock and vibration resistant as per BV 043/044

**Applications** shipbuilding, naval shipbuilding, heating and air-conditioning technology, environmental and process technology, plant construction.

**Media** All types of fluids and gases that do not corrode copper alloys, solidify or have a high viscosity. (i.e. nitrogen, hydraulic oil)

### Specifications

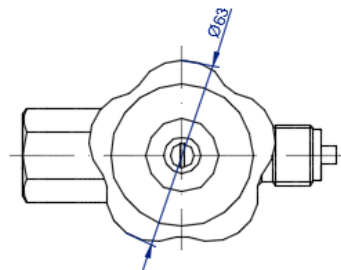
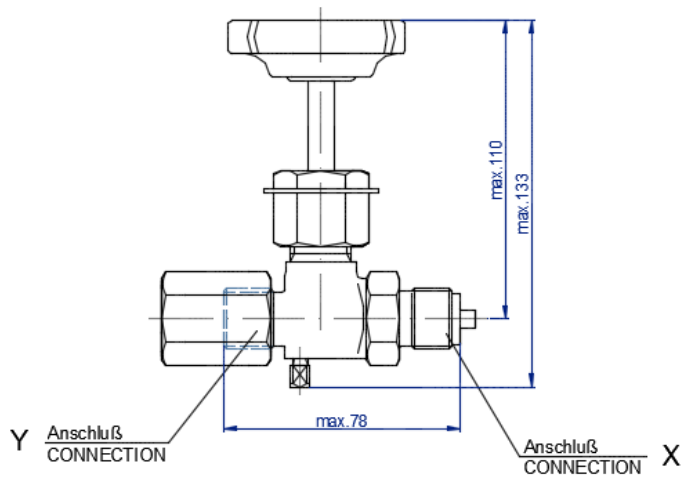
Nominal size	DN3 DN4
Nominal Pressure	PN40 PN100 PN250
Connections	M14x1,5 G1/2"A
	*pressure inlet, outlet and test connection may each have different connection sizes. ** other connection sizes on request.
Material	bronze
Hand wheel	C50 as per DIN 388 C63 as per DIN 388
Options	Free from oil and grease with union nut

### Technical Limitations

	min	max
Weight	0.4 kg	0.6
Operation temperature	-40 °C	+125 °C
Storage temperature	-40 °C	+125 °C

### Colours

casing	unpainted	
hand wheel	black	RAL 9005



Anschluß CONNECTION X = Druck eingang PRESSURE INLET

Anschluß CONNECTION Y = Druck ausgang PRESSURE OUTLET

Dimensions  
(mm)